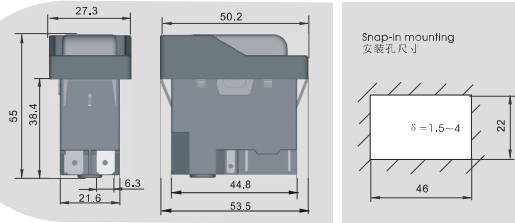


# KJD16

ELECTROMAGNETIC SWITCH 电磁开关



### Applications:

Integration switch with restart and undervoltage protection. If Power supply falls down, switching contacts open. The patent of switch is high current in small size.

### Specifications:

TUV(EN60947)  
 Rated Voltage: 120V~ 220-250V~  
 Rated Current: 16 (12) A AC-1:18A AC-3:15A  
 Uc: 220-240V~  
 Rated Frequency: 50/60Hz  
 Number of Operating Cycles: 5E4  
 Degree of Protection: IP55  
 UL, cUL (UL508, E195428)  
 Rated Voltage: 120V~ 220-240V~  
 Rated Current: 12A 1/2HP 16A 2HP  
 VDE, CE(DIN VDE61058, VDE0630)  
 Rated Voltage: 250V~  
 Rated Current: 10(8)A  
 Number of Operating Cycles: 5E4

### 应用:

该开关具有停电和欠电压保护功能。一旦断电或欠电压，开关自动断开，再来电时，须重新按开关。该专利技术体形小，电流大。

### 参数:

TUV(EN60947)  
 电压: 120V~ 220-250V~  
 电流: 16 (12) A AC-1:18A AC-3:15A  
 线圈电压: 220-240V~  
 额定频率: 50/60Hz  
 操作循环次数: 50000  
 防护等级: IP55  
 UL, cUL (UL508, E195428)  
 额定电压: 120V~ 220-240V~  
 额定电流: 12A 1/2HP 16A 2HP  
 VDE, CE(DIN VDE61058, VDE0630)  
 额定电压: 250V~  
 额定电流: 10(8)A  
 操作循环次数: 5E4

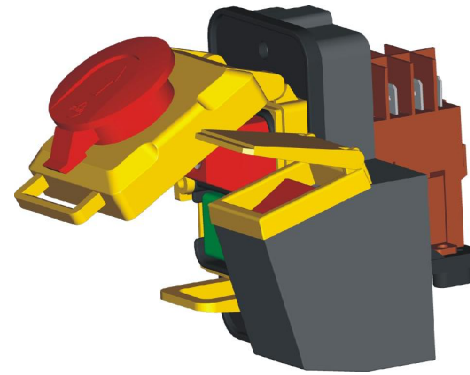
### Ordering Information. 货号编制:

Type: 型号: **KJD16**  
 Art. No.: 货号: **11161**

Panel 面板	Function 功能	Voltage/Frequency 电压/频率	Marking on Button 按钮标识	Attached 附件
1	1 No Remote Trip 无小插片	1 120V~/50Hz	1	1 No Attached 无附件
2	2 With Remote Trip 带小插片	2 120V~/60Hz	2 No Marks 无标识	2 With Protection Cover 带防水罩
	3 NO+NC	3 230V~/50Hz		
		4 230V~/60Hz		
		5 240V~/50Hz		
		6 240V~/60Hz		

# KJD10

ELECTROMAGNETIC SWITCH 电磁开关

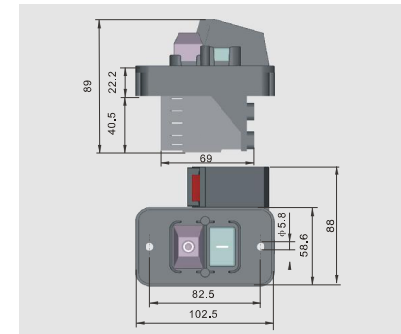


### Describing:

The main body is made of relay and rotary switch. The main technical data is as same as the ones of JD2, JD3 or Jd4. Switch KJD10 can control electrical motor directional movement and acting as a replacement of two-directional switch. Integration switch with restart and under voltage protection.

### 描述:

KJD10主体由继电器和转换开关构成。主要技术参数同继电器JD2, JD3 或 Jd4。该开关控制电动机的正反转和代替正反转开关，并具有停电和欠电压保护功能。



### Ordering Information. 货号编制:

Type: 型号: **KJD10**  
 Art. No.: 货号: **11101**

Panel 面板	Function 功能	Voltage/Frequency 电压/频率	Marking on Button 按钮标识	Attached 附件
1	1 Single Phase 单相	1 120V~/50Hz	1	1 No Attached 无附件
	2 Three Phase 三相	2 120V~/60Hz		2 With Protection Cover 带防水罩
		3 230V~/50Hz		3 With Emergency Stop 带急停
		4 230V~/60Hz		
		5 400V~/50Hz		4 With Protection Cover and Emergency Stop 带防水罩和急停
		6 400V~/60Hz		
		7 240V~/50Hz		
		8 240V~/60Hz		