



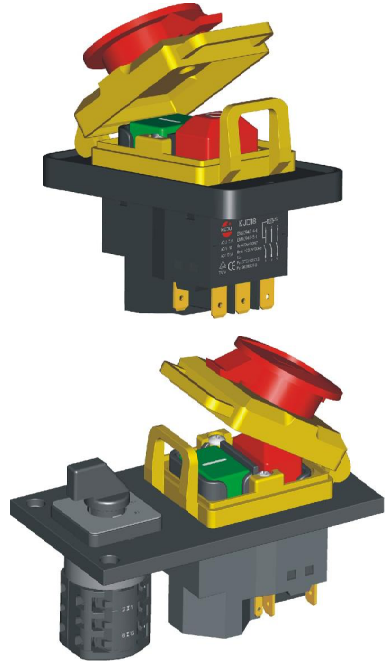
# KJD18

ELECTROMAGNETIC SWITCH 电磁开关



# KJD18

ELECTROMAGNETIC SWITCH 电磁开关



### Applications:

Switch KJD18 can be used to turn on and control electrical motor as it has under-voltage and restart protection. Advanced features include controlling electrical motor directional movement and acting as a replacement for two-directional switch.

### Specifications:

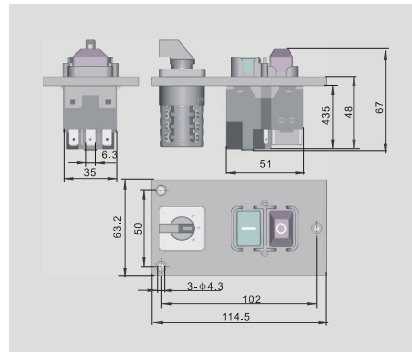
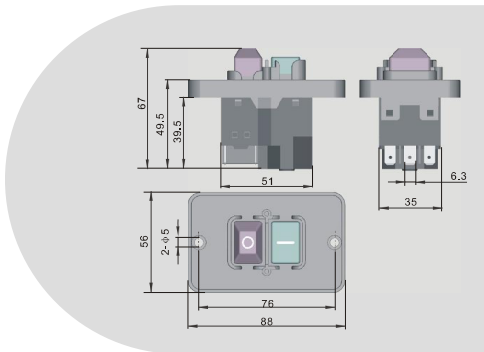
TUV, CE	EN60947	EN61058
Rated Voltage:	120/230V~	400V~
Rated Current:	AC-1: 12A AC-3: 15A AC-15: 6A	10A 7.5A 6A
Rated Frequency:	50/60Hz	
Degree of protection:	IP54	
Number of operating Cycles:	50000	
Poles:	2-poles or 3-poles	
Terminals:	Faston 6.3×0.8mm	
Phase:	Single phase and Three Phase	

### 应用:

KJD18开关用于启动和控制电动机,具有欠电压及停电保护功能,并能控制电动机的正反转和替代正反开关的功能。

### 参数:

TUV, CE	EN60947
额定电压:	120/230V~
额定电流:	AC-1: 12A AC-3: 15A AC-15: 6A
额定频率:	50/60Hz
防护等级:	IP54
操作循环次数:	50000
极数:	2极或3极
端子:	插片6.3×0.8mm
相数:	单相和三相



### Ordering Information. 货号编制:

Type: 型号: **KJD18**

Art. No.: 货号: **11181**

Panel 面板	Function 功能	Voltage/Frequency 电压/频率	Marking on Button 按钮标识	Attached 附件
1	1 Without Remote Trip-Three Phase 无小插片-三相	1 120V~/50Hz	1	1 No Attached 无附件
2	2 Without Remote Trip-Single Phase 无小插片-单相	2 120V~/60Hz	2	2 With Protection Cover 带防水盖
3	3 With Remote Trip-Three Phase 带小插片-三相	3 230V~/50Hz	3	3 With Emergency Stop 带急停
4	4 With Two-direction Switch-Three Phase带正反转开关-三相	4 230V~/60Hz	4	4 With Protection Cover and Emergency Stop 带防水盖和急停
	5 With Remote Trip-Single Phase 带小插片-单相	5 400V~/50Hz	5	5 With Protection Cover and Emergency Stop 带防水盖和急停
	6 With Two-direction Switch-Three Phase带正反转开关-三相	6 400V~/60Hz	6	6 With Protection Cover and Emergency Stop 带防水盖和急停
	7 With Two-direction Switch-SinglePhase带正反转开关-单相	7 240V~/50Hz	7	7 With Protection Cover and Emergency Stop 带防水盖和急停
	8 With Two-direction Switch-SinglePhase带正反转开关-单相	8 240V~/60Hz	8	8 With Protection Cover and Emergency Stop 带防水盖和急停