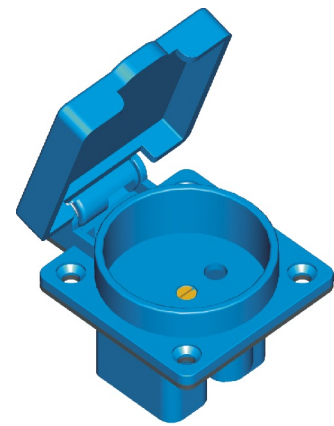
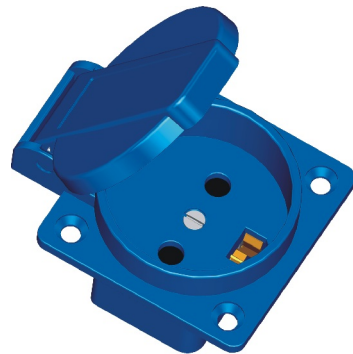
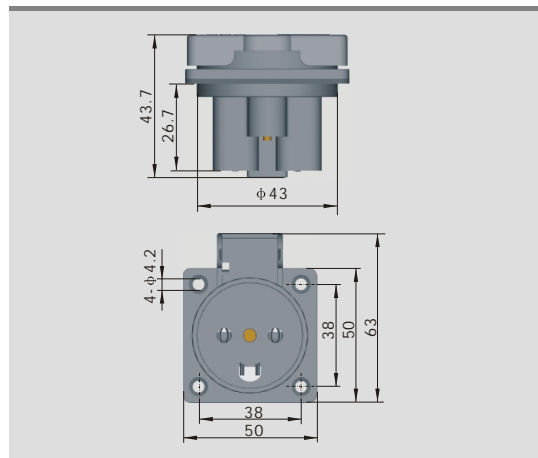


丹麦插座



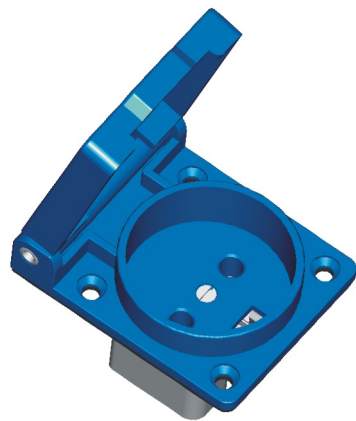
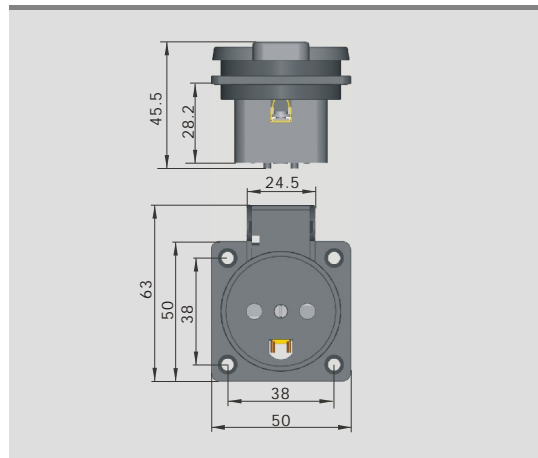
IEC60884-1&DK/SR107-2-D1
13A 250V-IP54
2P+PE

■ S227N-2



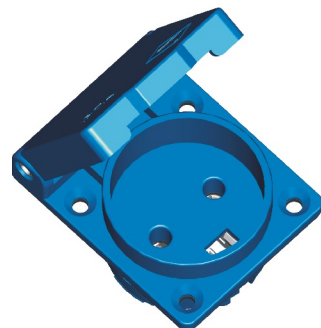
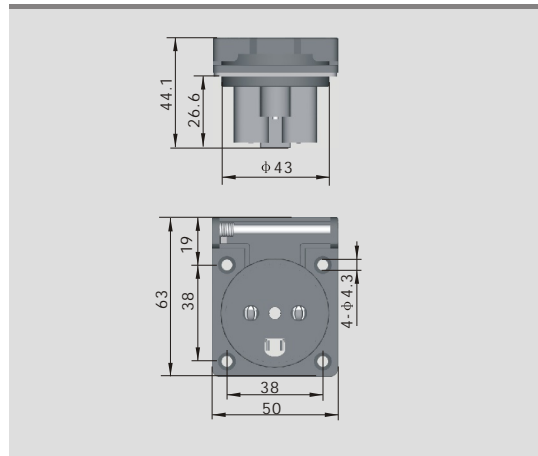
IEC60884-1&DK/SR107-2-D1
13A 250V-IP54
2P+PE

■ S227N



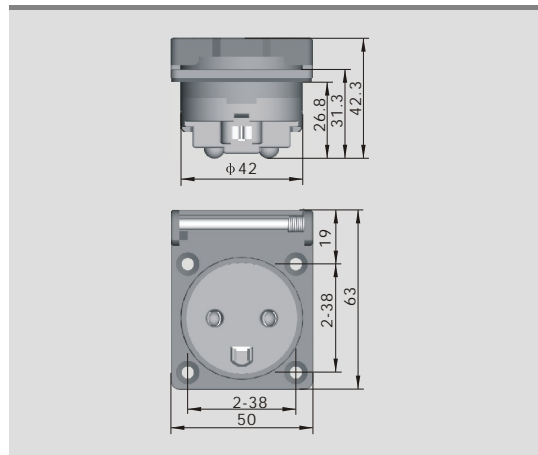
IEC60884-1&DK/SR107-2-D1
13A 250V-IP54
2P+PE

■ S227N-3

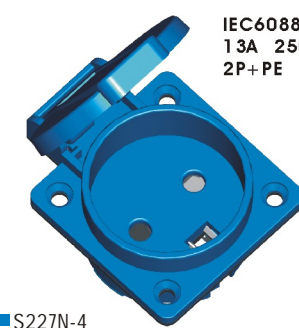
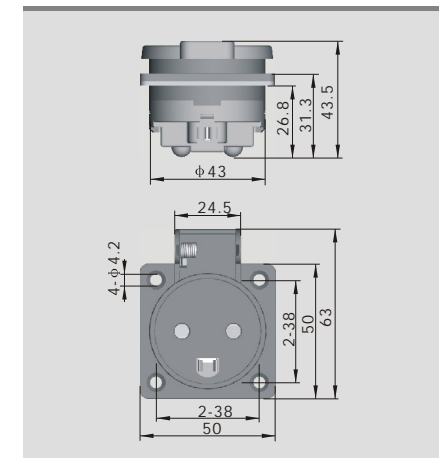


IEC60884-1&DK/SR107-2-D1
13A 250V-IP54
2P+PE

■ S227N-4-3

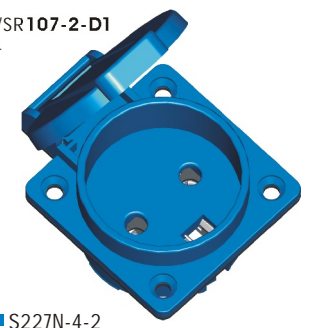


丹麦插座

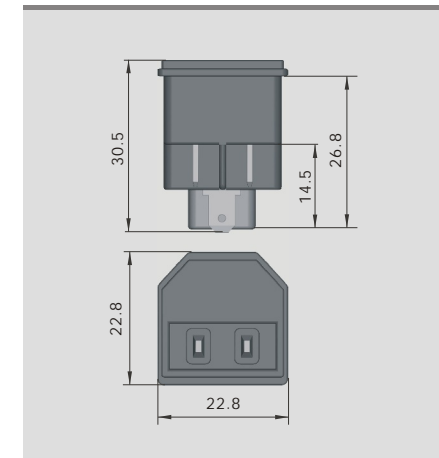


IEC60884-1&DK/SR107-2-D1
13A 250V-IP54
2P+PE

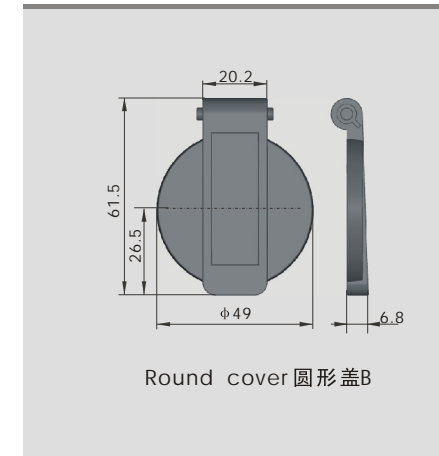
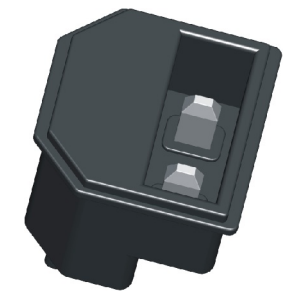
■ S227N-4



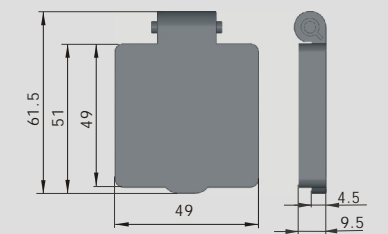
■ S227N-4-2



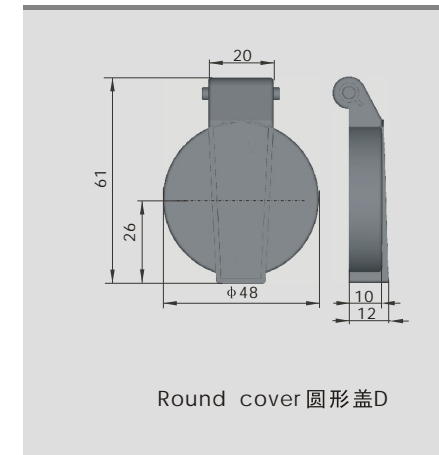
10/16A 250V-
■ S228



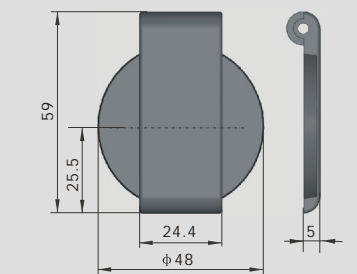
Round cover 圆形盖B



Square cover 方形盖A



Round cover 圆形盖D



Round cover 圆形盖C