



## Sliprings Type PMP

### Main Performances

<b>Housing</b>	Metallic
<b>Positioning</b>	Vertical axis
<b>Connections</b>	Rings cabled with 2 m long cable
<b>Cable entry</b>	With single-pole wires connected to the rings and through two pipe union 3/4" Gas to the brush-holders
<b>Brushes</b>	20 A or 50 A copper-graphite
<b>Executions</b>	From 18 to 42 rings 20 A - mixed executions 20 A / 50 A
<b>Armonized rules</b>	EN 60947-5-1 EN 60529 EEC 73/23 – EEC 89/336 – EEC 89/392 Directives
<b>Marking</b>	CE

### Electrical Features

<b>Nominal voltage</b>	660 V ac - dc
<b>Nominal current</b>	Ith 20 A - 50 A
<b>Protection degree</b>	IP 42
<b>Max rotating speed</b>	30 revs / min
<b>Test voltage</b>	2,5 kV
<b>Operating temperature</b>	- 20 °C ÷ + 60 °C

### Standard Types

Type	20 A N° Rings	H = mm*
G PMP B18	18	130
G PMP B24	24	160
G PMP B30	30	190
G PMP B36	36	220
G PMP B42	42	250

### Accessories

Availability on demand:

- Mercotac
- Absolut Encoder
- Micro-switches application
- One passage for air

Availability on demand:

- Types with 50 A rings
- Mixed executions with 20 A / 50 A rings
- Signal versions with gold or silver rings

## Installation and Wiring

The PMP slipping has to be installed only by qualified personnel in compliance with current safety standards. Power to the machine must be turned off before carrying out wiring. Connections are to be made in compliance with the wiring scheme of the controlled equipment. After installation has been completed, the installer is required to check that all commands are working properly. Avoid prolonged contact with oils and acids when using the equipment, as these may damage the products.

- 1) The main plate (Ref. 5) is made using two holes of  $\varnothing 10.5$  mm situated on the plate itself at a distance of 135 mm; while for the rings two holes of  $\varnothing 9$  mm, deep 13 mm on the flange (Ref. 3) are used.  
We recommend the coupling to be made with slack to take up any possible runout during rotation.
- 2) The cables are connected through lateral pipe unions (Ref. 18). Please ensure that the wires do not interfere with any moving part. The rings are cabled with a 2 m long cable from the main plate (Ref. 5). Longer cables are available upon request.
- 3) Please check the equipotential of any surface not generally recommended to be used under tension, and the ground connection using the cables provided.

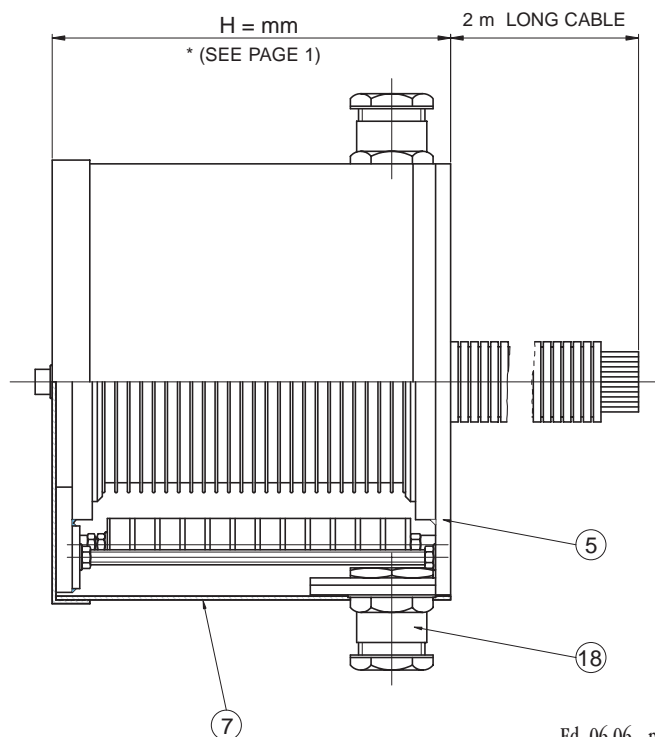
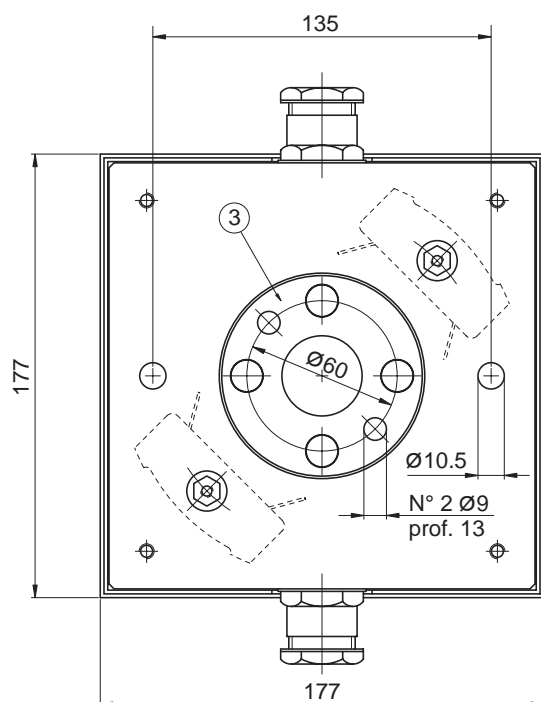
## Maintenance

A programme of periodical maintenance is required to be carried out to ensure that the PMP slipping is kept in perfect working order. All maintenance is to be effected by qualified personnel using only original spare parts. Any defective or altered parts must be replaced promptly, even outside the maintenance schedule, as they could impact on the safety of the device. In particular:

- 1) Disconnect from power source and wait until the internal parts have cooled down.
- 2) Remove the cover (Ref. 7).
- 3) Check the brushes for wear and tear, and check that they adapt properly to the rings.
- 4) Remove copper-graphite dust with de-humidified compressed air or a clean brush.
- 5) Check tightness of cables.
- 6) Check that the cover seal is in good condition.
- 7) Replace cover (Ref. 7).

Please note that the guarantee does not cover any equipment whose parts have been modified and tampered. RAVIOLI declines any responsibility for damage deriving from incorrect installation or use of the product.

## Dimensions



CE

Ed. 06.06 - pag.2