



## Sliprings Type PMS

### Main Performances

<b>Housing</b>	In aluminium, suitable for installation in inside or outside area
<b>Positioning</b>	Vertical axis
<b>Connections</b>	Rings cabled with 2 m long cable
<b>Cable entry</b>	Inside the fastener pipe for the rings and through the PG21 cable entry for the brush holders
<b>Brushes</b>	20 A or 50 A copper graphite
<b>Executions</b>	From 10 to 30 rings 20 A - mixed executions 20/50 A
<b>Armonized rules</b>	EN 60947 - 5 - 1    EN 60529 EEC 73/23 - EEC 89/336 - EEC 89/392 Directives
<b>Marking</b>	CE

### Electrical Features

<b>Nominal voltage</b>	660 V ac - dc
<b>Nominal current</b>	Ith 20 A - 50 A
<b>Protection degree</b>	IP 55
<b>Max rotating speed</b>	30 revs / min
<b>Test voltage</b>	2,5 kV
<b>Operating temperature</b>	- 20 °C ÷ + 60 °C

### Accessories

Availability on demand:

- Mercotac
- Absolut Encoder
- Micro-switches application
- One passage for air

### Standard Types

Type	20 A	H = mm *
	N.° rings	
<b>G PMS B10</b>	10	91
<b>G PMS B16</b>	16	141
<b>G PMS B20</b>	20	141
<b>G PMS B26</b>	26	192
<b>G PMS B30</b>	30	192

Availability on demand:

- Types with 50 A rings
- Mixed executions with 50 A / 20 A rings
- Flat bottom version without housing pipe
- Signal versions with gold or silver rings

## Installation and Wiring

The PMS slipring has to be installed only by qualified personnel in compliance with current safety standards. Power to the machine must be switched off before carrying out cabling. Connections are to be made in compliance with the wiring scheme of the controlled equipment. After installation has been completed, the installer is required to check that all commands are working properly. Avoid prolonged contact with oils and acids when using the equipment, as these may damage the products.

- 1) Using the locknuts (Ref. 27), attach the central pipe (Ref. 12) to a minimum 3 mm thick plate with a central hole of  $\varnothing 48.5 \div 52.5$  mm (using the reducing cable clip on the nuts).

As an alternative the central pipe (Ref. 12) can be attached to a plate with a threaded hole of  $\varnothing 48$  mm, 1.5 mm pitch using the locknuts as jam nuts (Ref. 27).

- 2) Rotation is achieved thanks to 2  $\varnothing 10$  mm pivots (Ref. 24) situated on the base (Ref. 10) at a distance of 160 mm from each other. We recommend the coupling to be made with slack to take up any possible runout during rotation.

Rotation can also be achieved by attaching the base (Ref. 10) using the two pivots (Ref. 24) situated on the plate, thus enabling the central pipe to rotate by (Ref. 12) thanks to a suitable coaxial joint.

- 3) The cables are connected to the brushes through the pipe union PG21 (Ref. 26). Please ensure that the wires do not interfere with any moving parts.

The cables connected to the rings protrude from the central pipe by approx 2 m (Ref. 12). Longer cables are available upon request.

- 4) Please check the equipotential of any surfaces not generally recommended to be used under voltage, and the ground connection using the cables provided.

## Maintenance

A programme of periodical maintenance is required to be carried out to ensure that the PMS slipring is kept in perfect working order. All maintenance is to be effected by qualified personnel using only original spare parts.

Any defective or altered parts must be replaced promptly, even outside the maintenance schedule, as they could impact on the safety of the device.

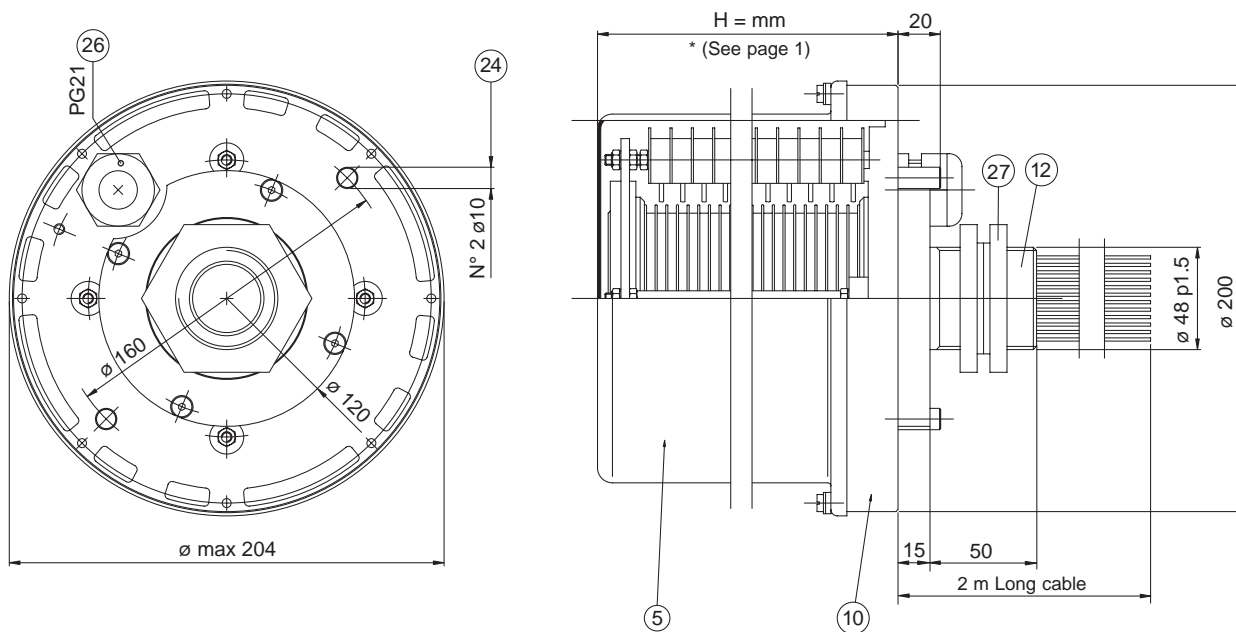
In particular:

- 1) Disconnect from power source and wait until the internal parts have cooled down.
- 2) Remove the cover (Ref. 5).
- 3) Check the brushes for wear and tear, and check that they adapt properly to the rings.
- 4) Remove copper-graphite dust with de-humidified compressed air or a clean brush.
- 5) Check tightness of cables.
- 6) Check that the cover seal is in good condition.
- 7) Replace cover (Ref. 5).

Please note that the guarantee does not cover any equipment whose parts have been modified and tampered.

RAVIOLI declines any responsibility for damage deriving from incorrect installation or use of the product.

## Dimensions



Ed. 06.02 - pag.2